

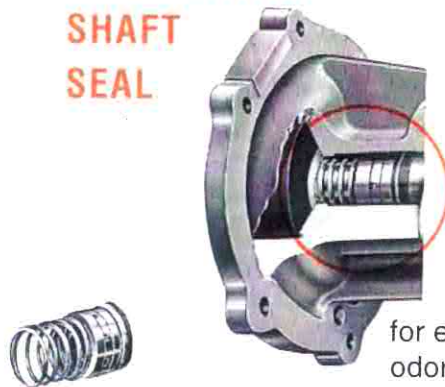
Acetic Acid AB
 Acetone IF
 Alcohol AB
 Aqueous Ammonia AI
 Asphalt - Hot AI
 Beer AB
 Blood AB
 Boric Acid AB
 Brine - NaCl AI
 Carbon Bisulfide AI
 Carbon Tetrachloride AI
 Catsup AB
 Caustic Potash AI
 Caustic Soda AI
 Chocolate BF
 Cider AB
 Citric Acid AB
 Corn Syrup IF
 Creosote AI
 Crude Oil IF
 Enamel IF
 Ethylene Glycol IF
 Fatty Acid AI
 Fish Oil IF
 Freon IF
 Fruit Juice AB
 Fuel Oil IF
 Furfural
 Gasoline BF
 Glue - Hot BF
 Grease IF
 Hydrogen Peroxide AI
 Kerosene IF
 Lacquer IF
 Lard - Hot AI
 Linseed Oil AI
 Lubricating Oil IF
 Mash AB
 Mayonnaise AB
 Milk of Magnesia AI
 Molasses BF
 Mustard AB
 Naphtha BF
 Naphthenic Acid AI
 Olive Oil AI
 Paint IF
 Palm Oil AI
 Petrolatum IF
 Printing Ink IF
 Rosin BF
 Shellac AB
 Soap Liquor AI
 Starch BF
 Sugar Syrup BF
 Sulfuric Acid - Conc. AI
 Sulfuric Acid - Fuming AI
 Sulfurous Acid AB
 Tar AI
 Toluene BF
 Turpentine
 Varnish BF
 Vegetable Juice AB
 Vinegar
 Water AB
 Wax IF
 Wine AB

COMPOSITION OF TRI-ROTOR PUMPS ACCORDING TO FIT												
Fit Designation	SYM-BOL	Rotor Group			Head Body, & Shaft Housing	Shaft Housing Bushing	Shaft	Shuttle Pin	Control Head*		Bypass Head	
		Rotor	Piston	Shuttle					Plunger	Lever Assm.	Valve	Cage
Iron Fitted	IF	Iron	Iron	Iron	Iron	Bronze	Steel	Steel	Bronze	Steel	Bronze	Iron
Bronze Fitted	BF	Bronze	Iron	Bronze	Iron	Bronze	Steel	Steel	Bronze	Steel	Bronze	Iron
All Iron	AI	Iron	Iron	Iron	Iron	Iron	Steel	Steel	Iron	Steel	Iron	Iron
All Bronze	AB	Bronze	Bronze	Bronze	Bronze	Bronze	Stainless Steel	Monel	Bronze	** Steel	Bronze	Bronze

* Springs, Plates, Caps are Plated Parts in All Bronze Pumps

** Plated

MECHANICAL SHAFT SEAL



for explosive, inflammable, toxic, odoriferous and other pumpages not permitted escape from pump.

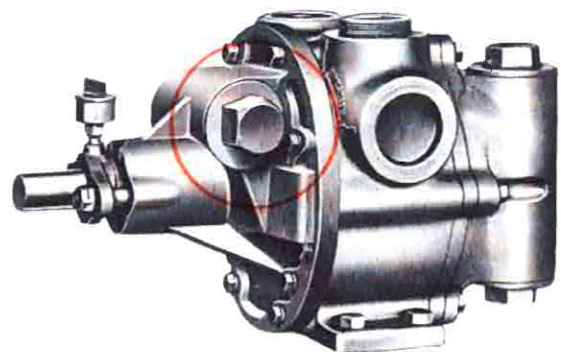
STEAM JACKETED PUMPS

for melting liquids that congeal when cold. For heat exchange function when pumping products requiring close temperature control.



PULSATION ABSORBER

eliminates problems encountered with air chambers or bladder-type cushions in conventional piping systems.



Contact us if your application requires pumping liquids not listed above.