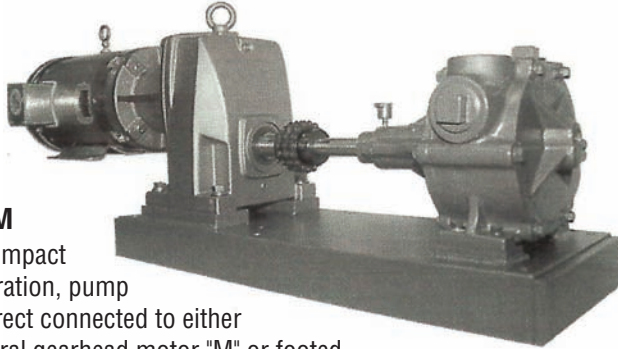


BASE MOUNTINGS AND DRIVE ASSEMBLIES

Complete pumping installations are furnished in configurations designed to meet the requirements of the customer's specifications. Shown below are some of the most popular standard units. Heavy Duty Drives of all types match the rugged construction of Tri-Rotor pumps. Sanitary prepared units are lacquered white, "Wilko-White" epoxy coated or "Steel-It" stainless steel epoxy coated.



80BSM

Most compact configuration, pump shaft direct connected to either an integral gearhead motor "M" or footed C-face reducer "SM" (as shown "Steel-It" epoxy coated), through a flexible chain coupling. Furnished with coupling guard (not shown).

STYLE M & SM DIRECT CONNECTED UNIT

PUMP SERIES	MAX. MOTOR SIZE	STANDARD AVAILABLE PUMP SPEED			
		MAXIMUM		MINIMUM	
	HP	RPM	GPM	RPM	GPM
20	3	1725	30	100	2
40	5	520	36	100	7
80	7 1/2	600	88	100	15
100	10	640	95	100	15
120	10	640	95	100	15
200 220	25	520	240	100	46

STYLE CFM – CLOSE COUPLED UNIT

Rating	30 GPM @ 1725 RPM 20 GPM @ 1140 RPM			20CPV VARIABLE VOLUME HEAD		20CPX BYPASS HEAD 20CP SOLID HEAD	
Displacement Factor	1.76 Gals./100 Revs.						
Port Size	1-1/4" & 1-1/2" NPT						
Visc. SSU / CPS	RPM	GPM	Suct.	1725 RPM	1140 RPM	1725 RPM	1140 RPM
40 / 4	1800	30.0	1 1/4	100% VFC		FULL STROKE	
100 / 20	1200	21.0	1 1/4	70% VFC		3/4 STROKE	
400 / 78	1180	20.6	1 1/4				
600 / 125	1160	20.4	1 1/4				
800 / 165	1130	19.9	1 1/4		100% VFC		FULL STROKE
1,000 / 200	1120	19.7	1 1/4				
1,600 / 335	1080	19.0	1 1/4				
2,000 / 410	1060	18.6	1 1/2				
3,000 / 620	1010	17.7	1 1/2	60% VFC	90% VFC		
5,000 / 1,060	950	16.7	2				
8,000 / 1,700	880	15.5	2				
9,000 / 1,900	860	15.1	2	50% VFC	75% VFC	1/2 STROKE	3/4 STROKE
10,000 / 2,150	1000	17.6	2	60% VFC	90% VFC		
15,000 / 3,100	960	16.9	2 1/2				
20,000 / 4,250	880	15.5	2 1/2	50% VFC	75% VFC	1/2 STROKE	3/4 STROKE
30,000 / 6,500	800	14.1	3				
40,000 / 8,610	680	12.0	3	40% VFC	60% VFC		
50,000 / 10,800	560	9.9	3				1/2 STROKE
75,000 / 16,210	400	7.0	3			1/4 STROKE	
100,000 / 21,625	240	4.2	3	15% VFC	20% VFC		1/4 STROKE

20CFM

Lightweight and portable, this design, requiring only the motor feet to be bolted in place, is self-aligning and eliminates shimming. No maintenance to pump, all sleeve bearings lubricated for life. Any 90° port arrangement available and can operate in any position. Its short "OAL" allows it to fit anywhere. Equipped exclusively with a Type 68 mechanical seal stocked in three different elastomers covering virtually all applications. With guard caps in place, all moving parts are completely shrouded.



20CPXCFM
BYPASS HEAD



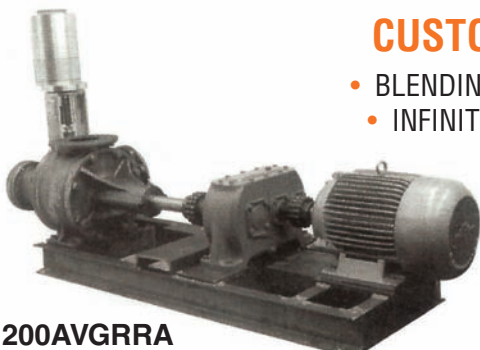
20CPCFM
SOLID HEAD,
SIDE SUCTION,
BOTTOM DISCHARGE



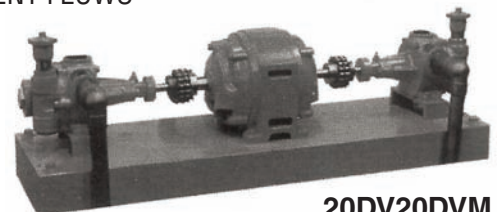
20CPVCFM
VARIABLE VOLUME
WITH VERNIER FLOW
CONTROL (VFC)

CUSTOM - ENGINEERED INSTALLATIONS

- BLENDING, PROPORTIONING AND METERING APPLICATIONS
- INFINITELY VARIABLE CONTROL OF CONSTITUENT FLOWS
- MULTIPLE PUMP CONFIGURATIONS
 - AUTOMATED SYSTEMS
 - SILENT CHAIN DRIVES
 - REMOTE CONTROLS
 - PORTABLE UNITS



200AVGRRR



20DV20DVM

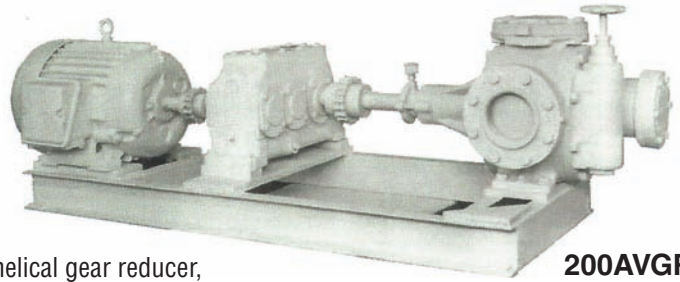
TRI-ROTOR, INC. • PHONE: 800-782-4477 860-482-8581 • FAX: 860-482-8435
EMAIL: info@trirotor.com • www.trirotor.com

BASE MOUNTINGS AND DRIVE ASSEMBLIES *continued*

Complete pumping installations are furnished in configurations designed to meet the requirements of the customer's specifications. Shown below are some of the most popular standard units. Heavy Duty Drives of all types match the rugged construction of Tri-Rotor pumps. Sanitary prepared units are lacquered white, "Wilko-White" epoxy coated or "Steel-It" stainless steel epoxy coated.

STYLE GR – ENCLOSED GEAR REDUCER UNIT

PUMP SERIES	1725 RPM MOTOR	STANDARD AVAILABLE PUMP SPEED			
		MAXIMUM		MINIMUM	
	MAX. HP	RPM	GPM	RPM	GPM
40	3	605	42	90	6
80	7½	605	90	90	13
100	7½	680	100	90	13
120	7½	680	100	90	13
200 220	15	506	235	86	40

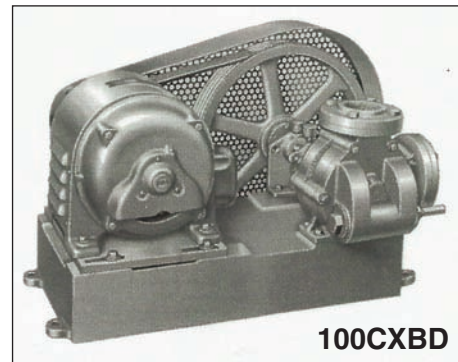


200AVGR

Base mounted helical gear reducer, "GR" style shown, utilizes standard 1725 RPM motor to achieve very low pump speeds (when handling extremely viscous pumpages) with enclosed oil bath for long service life and quiet operation. Also available in "SGR" configuration incorporating an inline input/output shaft reducer. Flexible couplings join pump-to-reducer and reducer-to-motor. Furnished with coupling guards (not shown).

STYLE BD – V-BELT DRIVE UNIT

PUMP SERIES	1725 RPM MOTOR	STANDARD AVAILABLE PUMP SPEED				1140 RPM MOTOR	STANDARD AVAILABLE PUMP SPEED			
		MAXIMUM		MINIMUM			MAXIMUM		MINIMUM	
	MAX. HP	RPM	GPM	RPM	GPM	MAX. HP	RPM	GPM	RPM	GPM
20	2	1500	26	438	8	2	975	17	290	5
40	3	600	42	292	20	3	391	27	193	13
80	5	600	88	270	40	5	449	66	176	26
100	5	690	102	270	40	5	449	66	176	26
120	5	690	102	270	40	5	449	66	176	26
200 220	15	520	242	280	130	15	344	160	184	86

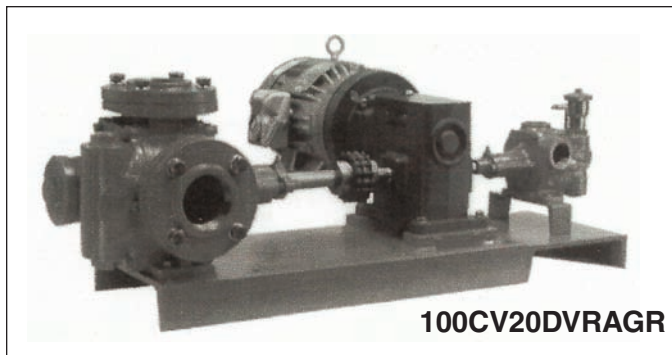


100CXBD

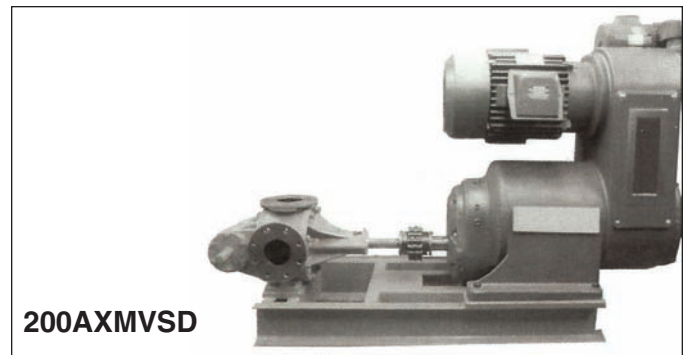
For a wide choice of pump speeds. Static conducting belts for hazardous locations. Pump shaft supported by large lubricated outboard bearing. Adjustable motor pad, belt guard.

CUSTOM - ENGINEERED INSTALLATIONS

- BLENDING, PROPORTIONING AND METERING APPLICATIONS • MULTIPLE PUMP CONFIGURATIONS
- AUTOMATED SYSTEMS • INFINITELY VARIABLE CONTROL OF CONSTITUENT FLOWS
- PORTABLE UNITS • SILENT CHAIN DRIVES • REMOTE CONTROLS



100CV20DVRAGR



200AXMVSD